

# ❖ The Reserve Times ❖

The Reserve Homeowners' Association

www.medinareserve.com

July 2005

## In This Issue:

Fourth of July Parade	1
Mail Box Post Offer	2
Gourmet Group	2
Fall Garage Sale	2

## The Reserve Homeowner's Association Officers & Contact Info:

### President:

Pat Chaloupek  
(330) 725-4950  
pchal@zoominternet.net

### Vice President:

Sally Giovinazzo  
(330) 725-4331  
sallytony@zoominternet.net

### Treasurer:

Karen Horton  
(330) 721-8978  
khortoncpa  
@zoominternet.net

### Secretary:

Tom Jones  
(330) 723-2285  
tjones71@zoominternet.net

For a complete listing of all Officers and Directors for The Reserve, Timbers I and Timbers II, please refer to the latest Reserve Homeowners' Association Directory or visit our website at [www.medinareserve.com](http://www.medinareserve.com)

## "Kids" Fourth of July Parade

The Reserve will be having a special Kids' Parade event for the 4th of July.

Kids of all ages are invited to decorate bikes, trikes, wagons, skateboards, etc. and join the parade that will begin at the cul de sac at the north end of Salems' Way (see parade route below). Neighbors are encouraged to come and cheer in the spirit of the holiday. Treats and refreshments will be served at the end of the parade.

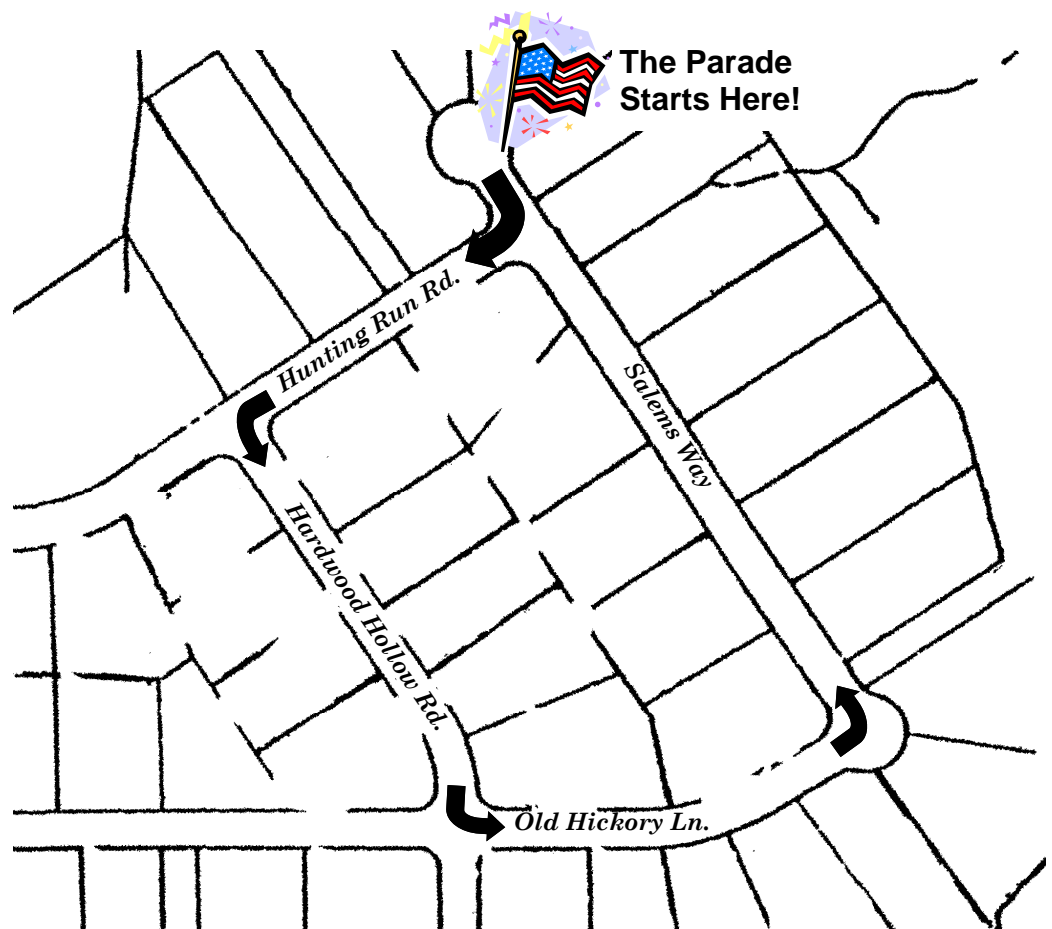


**Date:** Monday July 4th

**Time:** 10:30 a.m. - 12 noon

**Contact:** Karen Horton (330) 721-8978 for more info and to help

**NOTE:** In case of rain, this event will be CANCELLED!



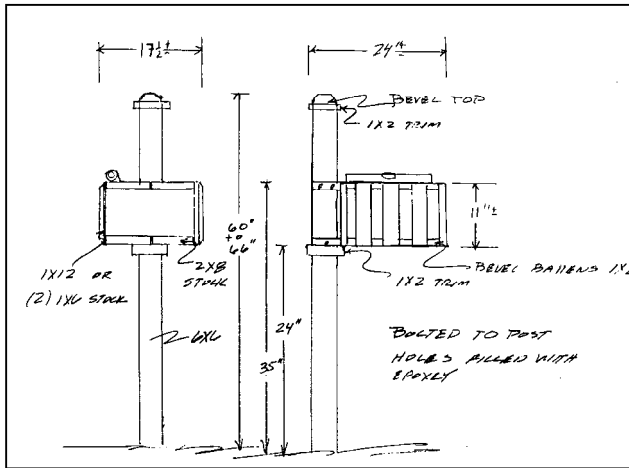
# Attention Reserve Residents — Special Summer Offer to Upgrade Your Mailbox

One of our residents, Larry Scudder, has offered to repair or replace old, rickety wooden mailbox stands as needed. He is offering this service to our residents with **SPECIAL PRICING FOR A LIMITED TIME.**

**Prices:**

Complete wood box with new post.....	\$65.00
Above installed (and old post removed) .....	\$125.00
Wood box only (bracketing, screws included) .....	\$50.00
Wood box (installed) .....	\$75.00

Materials are treated pine and cedar. Boxes include PVC mailing tube and bracket. Prices do not include an *approved* postal box. Custom staining is extra.



If you want to “Do-it-Yourself”, plans with dimensions are available.

Get your orders in soon to take advantage of this one-time opportunity and help keep our neighborhood looking good!

Contact Larry at (330) 723-2941,  
email: [startap1234@aol.com](mailto:startap1234@aol.com)

## Gourmet Group



The next Gourmet Group event will be held Saturday July 16, 6:30 p.m., at the home of Jeff and Sherry Brown, 3573 Old Hickory Lane. The theme is “Mexican Fiesta.”

Reservations are required. If you would like to RSVP or learn more, please contact Sherry Brown at (330) 723-6568 (email [sherryhon@hotmail.com](mailto:sherryhon@hotmail.com)) or Corinne Hadley at (330) 723-3663.

## Fall Garage Sale

This is advanced notice for you to mark your calendars for September 15, 16, and 17. These dates have been set aside for The Reserve fall garage sale. Start gathering your saleable stuff now!

